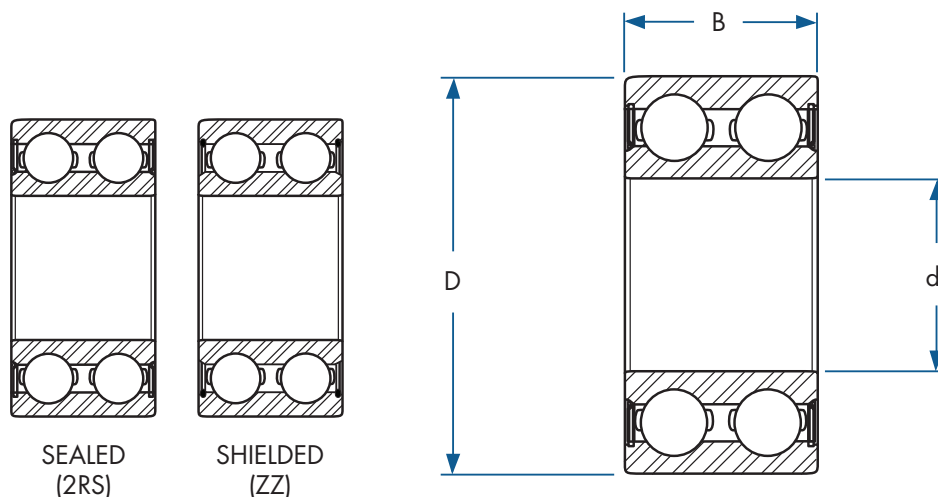


W52/5300 series



Bearing Size	Dimensions (mm)			Load Rating (lbf)		Limiting Speed (RPM)	
				Dynamic	Static	2RS	ZZ
	d	D	B	Cr	Cor		
W5202	15	35	18.2	2,248	1,360	14,000	18,000
W5203	17	40	20.6	2,878	1,776	12,000	16,000
W5204	20	47	23.8	4,271	2,720	10,000	14,000
W5205	25	52	23.8	4,631	3,215	8,500	12,000
W5206	30	62	27	6,429	4,586	7,500	10,000
W5304	20	52	25.4	4,631	2,855	9,000	13,000
W5305	25	62	30.2	6,857	4,609	7,500	11,000
W5306	30	72	33.5	8,880	6,182	6,300	9,000